

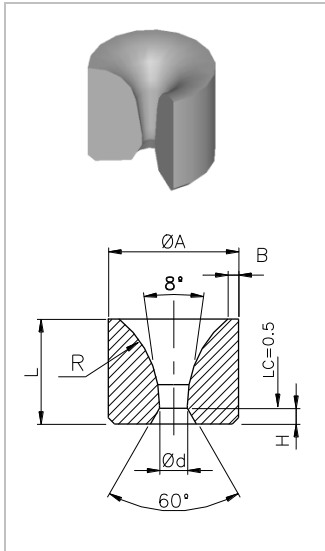
Drawing Nibs

Argensinter standard



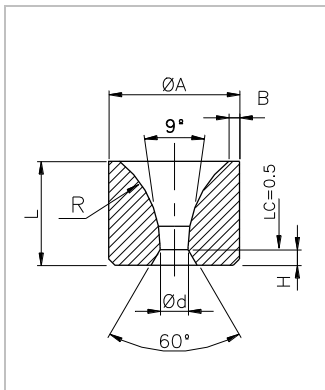
Drawing Nibs (according to Argensinter Standard)

Type: A



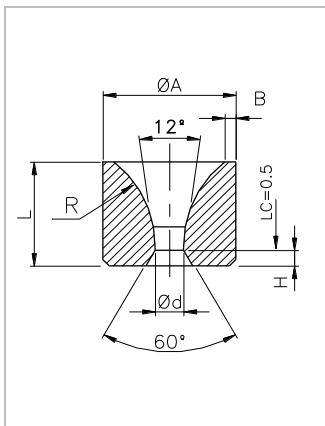
Code	A	L	d	R	B	LC	H
TRE TA 13x11x1.00	13	11	1.00	8.0	1	0.5	2.5
TRE TA 15x13x0.80	15	13	0.80	9.0	1 a 3	0.5	3.0
TRE TA 15x13x1.20	15	13	1.20	9.0	1 a 3	0.5	3.0

Type: B



Code	A	L	d	R	B	LC	H
TRE TB 09x6x0.25	9	6	0.25	3.5	1	0.5	1.0
TRE TB 09x6x0.30	9	6	0.30	3.5	1	0.5	1.0
TRE TB 09x6x0.60	9	6	0.60	3.5	1	0.5	1.0
TRE TB 09x6x0.80	9	6	0.80	3.5	1	0.5	1.0
TRE TB 09x6x1.00	9	6	1.00	3.5	1	0.5	1.0
TRE TB 13x11x0.25	13	11	0.25	8.0	1	0.5	2.5
TRE TB 13x11x0.38	13	11	0.38	8.0	1	0.5	2.5
TRE TB 13x11x0.40	13	11	0.40	8	1	0.5	2.5
TRE TB 13x11x0.55	13	11	0.55	8.0	1	0.5	2.5
TRE TB 13x11x0.80	13	11	0.80	8.0	1	0.5	2.5
TRE TB 15x13x2.00	15	13	2.00	9.0	1 a 3	0.5	3.0
TRE TB 15x13x2.50	15	13	2.50	9.0	1 a 3	0.5	3.0
TRE TB 15x13x3.00	15	13	3.00	9.0	1 a 3	0.5	3.0
TRE TB 15x13x4.50	15	13	4.50	9.0	1 a 3	0.5	3.0

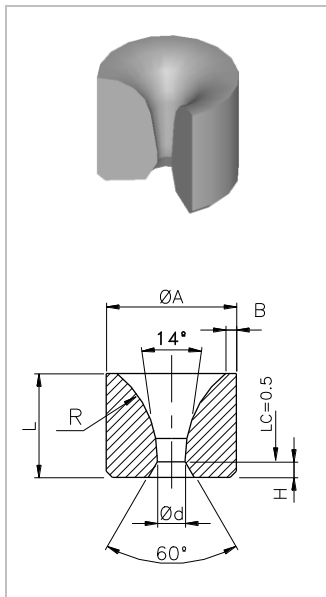
Type: C



Code	A	L	d	R	B	LC	H
TRE TC 13x11x0.52	13	11	0.52	8.0	1	0.5	2.5
TRE TC 15x13x0.40	15	13	0.40	9.0	1 a 3	0.5	3.0
TRE TC 15x13x0.52	15	13	0.52	9.0	1 a 3	0.5	3.0
TRE TC 15x13x0.60	15	13	0.60	9.0	1 a 3	0.5	3.0
TRE TC 15x13x1.00	15	13	1.00	9.0	1 a 3	0.5	3.0
TRE TC 15x13x1.24	15	13	1.24	9.0	1 a 3	0.5	3.0
TRE TC 15x13x1.44	15	13	1.44	9.0	1 a 3	0.5	3.0
TRE TC 15x13x1.68	15	13	1.68	9.0	1 a 3	0.5	3.0
TRE TC 15x13x2.20	15	13	2.20	9.0	1 a 3	0.5	3.0
TRE TC 15x13x2.70	15	13	2.50	9.0	1 a 3	0.5	3.0
TRE TC 15x13x3.20	15	13	3.20	9.0	1 a 3	0.5	3.0
TRE TC 15x13x3.60	15	13	3.60	9.0	1 a 3	0.5	3.0
TRE TC 20x17x1.80	20	17	2.00	10	1 a 3	0.5	3.0
TRE TC 25x20x3.50	25	20	3.50	10	1 a 3	0.5	3.5
TRE TC 25x20x4.00	25	20	4.00	10	1 a 3	0.5	3.5
TRE TC 25x20x4.50	25	20	4.50	10	1 a 3	0.5	3.5

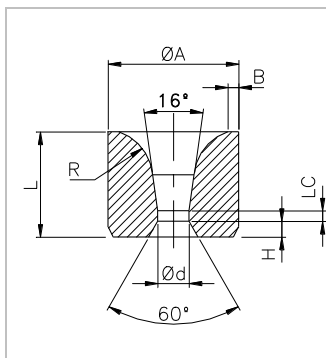
Drawing Nibs (according to Argensinter Standard)

Type: D



Code	A	L	d	R	B	LC	H
TRE TD 09x6x0.55	9	6	0.55	3.5	1	0.5	1.0
TRE TD 13x11x0.30	13	11	0.30	8.0	1	0.5	2.5
TRE TD 13x11x0.40	13	11	0.40	8.0	1	0.5	2.5
TRE TD 13x11x0.65	13	11	0.65	8.0	1	0.5	2.5
TRE TD 13x11x0.80	13	11	0.80	8.0	1	0.5	2.5
TRE TD 13x11x0.88	13	11	0.88	8.0	1	0.5	2.5
TRE TD 13x11x1.60	13	11	1.60	8.0	1	0.5	2.5
TRE TD 13x11x2.40	13	11	2.40	8.0	1	0.5	2.5
TRE TD 15x13x0.32	15	13	0.32	9.0	1 a 3	0.5	3.0
TRE TD 15x13x0.48	15	13	0.48	9.0	1 a 3	0.5	3.0
TRE TD 15x13x0.50	15	13	0.50	9.0	1 a 3	0.5	3.0
TRE TD 15x13x0.68	15	13	0.68	9.0	1 a 3	0.5	3.0
TRE TD 15x13x1.00	15	13	1.00	9.0	1 a 3	0.5	3.0
TRE TD 15x13x1.48	15	13	1.48	9.0	1 a 3	0.5	3.0
TRE TD 16x12x1.20	16	12	1.20	10	1 a 3	0.5	3.0
TRE TD 20x17x4.50	20	17	5.00	10	1 a 3	0.5	3.0
TRE TD 20x17x5.50	20	17	2.00	10	1 a 3	0.5	3.0

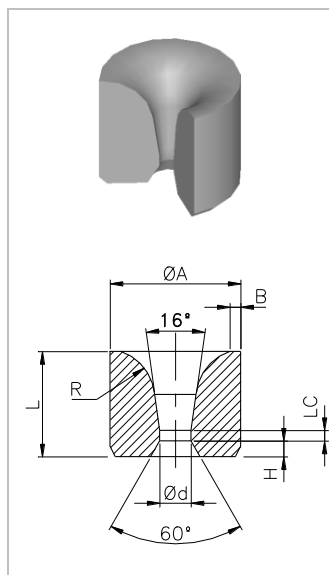
Type: E



Code	A	L	d	R	B	LC	H
TRE TE 09x6x ...	9	6	...	3.5	1.0	d/4	1.0
TRE TE 09x6x0.55	9	6	0.55	3.5	0.5	d/4	1.0
TRE TE 09x6x0.65	9	6	0.65	3.5	0.5	d/4	1.0
TRE TE 09x6x0.75	9	6	0.75	3.5	0.5	d/4	1.0
TRE TE 09x6x0.95	9	6	0.95	3.5	0.5	d/4	1.0
TRE TE 09x6x1.10	9	6	1.10	3.5	0.5	d/4	1.0
TRE TE 09x6x1.15	9	6	1.15	3.5	0.5	d/4	1.0
TRE TE 09x6x1.65	9	6	1.65	3.5	0.5	d/4	1.0
TRE TE 13x11x ...	13	11	..	5.5	1.0	d/3	1.65
TRE TE 15x13x ...	15	13	..	7.5	1.0	d/3	2.0
TRE TE 15x13x1.6	15	13	1.00	7.5	1.6	d/3	2.0
TRE TE 15x13x0.92	15	13	1.00	7.5	0.92	d/3	2.0
TRE TE 16x12x0.40	16	12	1.00	8.0	0.40	d/3	2.0
TRE TE 16x12x0.60	16	12	1.00	8.0	0.60	d/3	2.0
TRE TE 16x12x0.80	16	12	1.00	8.0	0.80	d/3	2.0
TRE TE 16x12x1.20	16	12	1.00	8.0	1.20	d/3	2.0
TRE TE 16x12x1.50	16	12	1.00	8.0	1.50	d/3	2.0
TRE TE 16x12x1.60	16	12	1.00	8.0	1.60	d/3	2.0
TRE TE 16x12x2.00	16	12	1.00	8.0	2.00	d/3	2.0
TRE TE 16x12x2.40	16	12	1.00	8.0	2.40	d/3	2.0
TRE TE 16x12x2.95	16	12	1.00	8.0	2.95	d/3	2.0
TRE TE 16x12x3.60	16	12	1.00	8.0	3.60	d/3	2.0

Drawing Nibs (according to Argensinter Standard)

Type: E - (continuation)



Code	A	L	d	R	B	LC	H
TRE TE 17x15x ...	17	15	..	8.5	1.0	d/3	2.25
TRE TE 17x15x0.72	17	15	0.72	8.5	1.0	d/3	2.25
TRE TE 17x15x1.20	10	15	1.20	8.5	1.0	d/3	2.25
TRE TE 17x15x1.60	17	15	1.60	8.5	1.0	d/3	2.25
TRE TE 17x15x2.00	17	15	2.00	8.5	1.0	d/3	2.25
TRE TE 17x15x2.40	17	15	2.40	8.5	1.0	d/3	2.25
TRE TE 17x15x2.70	17	15	2.70	8.5	1.0	d/3	2.25
TRE TE 17x15x3.20	17	15	3.20	8.5	1.0	d/3	2.25
TRE TE 17x15x3.80	17	15	3.80	8.5	1.0	d/3	2.25
TRE TE 17x15x4.00	17	15	4.00	8.5	1.0	d/3	2.25
TRE TE 17x15x4.20	17	15	4.20	8.5	1.0	d/3	2.25
TRE TE 17x15x4.60	17	15	4.60	8.5	1.0	d/3	2.25

TRE TE 20x17x ...	20	17	...	10	3a1	2.5	3
TRE TE 20x20x ...	20	20	..	9.5	1.0	d/3	3.0
TRE TE 20x20x1.10	20	20	1.50	9.5	1.0	d/3	3.00
TRE TE 20x20x1.50	20	20	2.00	9.5	1.0	d/3	3.00
TRE TE 20x20x2.00	20	20	2.50	9.5	1.0	d/3	3.00
TRE TE 20x20x3.10	20	20	3.80	9.5	1.0	d/3	3.00
TRE TE 20x20x4.00	20	20	5.00	9.5	1.0	d/3	3.00
TRE TE 20x20x4.40	20	20	5.50	9.5	1.0	d/3	3.00
TRE TE 20x20x5.20	20	20	6.00	9.5	1.0	d/3	3.00

TRE TE 25x20x ...	25	20	..	9.5	1.0	d/3	3.0
TRE TE 25x20x0.95	25	20	0.95	9.5	1.0	d/3	3.00
TRE TE 25x20x2.40	25	20	2.40	9.5	1.0	d/3	3.00
TRE TE 25x20x4.00	25	20	4.00	9.5	1.0	d/3	3.00
TRE TE 25x20x4.80	25	20	4.80	9.5	1.0	d/3	3.00
TRE TE 25x20x5.60	25	20	5.60	9.5	1.0	d/3	3.00
TRE TE 30x20x ...	30	20	..	10	1.0	d/3	3.0
TRE TE 30x20x1.00	30	20	1.00	10	1.0	d/3	3.00
TRE TE 30x20x2.00	30	20	2.00	10	1.0	d/3	3.00
TRE TE 30x20x2.50	30	20	2.50	10	1.0	d/3	3.00
TRE TE 30x24x ...	30	24	...	14	4a1	3	4

TRE TE 35x24x ...	35	24	...	14	4a1	3	4
TRE TE 35x25x ..	35	25	...	10.5	1.0	d/4	4.0

TRE TE 40x24x ...	40	24	...	14	4a1	3	4
TRE TE 40x25x ..	40	25	..	11	1.0	d/4	4.0

TRE TE 45x25x ...	45	25	...	14	5a2	3	4
TRE TE 45x25x ..	45	25	..	11	1.0	d/4	4.0

TRE TE 50x25x ...	50	25	...	18	5a2	3	5
TRE TE 50x25x ..	50	25	..	11	1.0	d/4	4.0
TRE TE 50x30x ...	50	30	...	18	5a2	3	5
TRE TE 50x30x ...	50	30	...	18	6a2	3	5

TRE TE 55x25x ..	55	25	..	11	1.0	d/4	4.0
------------------	----	----	----	----	-----	-----	-----

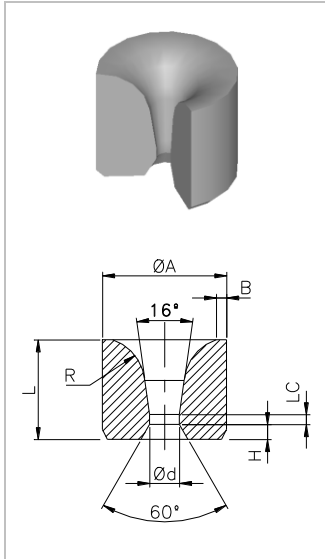
TRE TE 60x30x ..	60	30	..	12	1.0	d/4	4.5
------------------	----	----	----	----	-----	-----	-----

TRE TE 65x30x ..	65	30	..	13	1.0	d/5	4.5
------------------	----	----	----	----	-----	-----	-----

TRE TE 70x30x ..	70	30	..	13	1.0	d/5	4.5
------------------	----	----	----	----	-----	-----	-----

Drawing Nibs (according to Argensinter Standard)

Type: E - (continuation)



Code	A	L	d	R	B	LC	H
TRE TE 70x30x ..	70	30	..	13	1.0	d/5	4.5
TRE TE 75x35x ..	75	35	..	14	2.0	d/5	5.2
TRE TE 80x35x ..	80	35	..	14	2.0	d/5	5.2
TRE TE 85x35x ..	85	35	..	14	2.0	d/5	5.2
TRE TE 90x35x ..	90	35	..	15	2.0	d/5	5.2
TRE TE 100x35x..	100	35	..	18	4.0	d/5	5.2
TRE TE 110x40x..	110	40	..	20	4.0	d/5	6.0

New!



Save time and get the best service. Visit [MiArgensinter!](http://mi.agensinter.com.ar)

(<http://mi.agensinter.com.ar>) and enter our online commercial platform. Consult our prices and the stock of these and/or any of our other products.

You will also be able to buy and order the manufacturing of more items without moving from your desk in a fast and safe way.

If you are in Argentina, you will receive your order in 24 hours (depending of your location, the period may be longer).

For further information, please do not hesitate to contact us or visit our web site at www.agensinter.com

ARGENSINTER

Argensinter S.R.L. – Hard Metal and Special Cutting Tools
Tacuarí 925 (B1704FJM) Ramos Mejía
Province of Buenos Aires, Argentina
Phone: (+54) 11 4658 7637 – Fax: (+54) 11 4656 8028
email: sales@argensinter.com - Web site: <http://www.argensinter.com>